

SC-H PILL TECHNOLOGY

FOR SWITCHES WITHOUT GOLD

Same or better technical performance
at lower cost

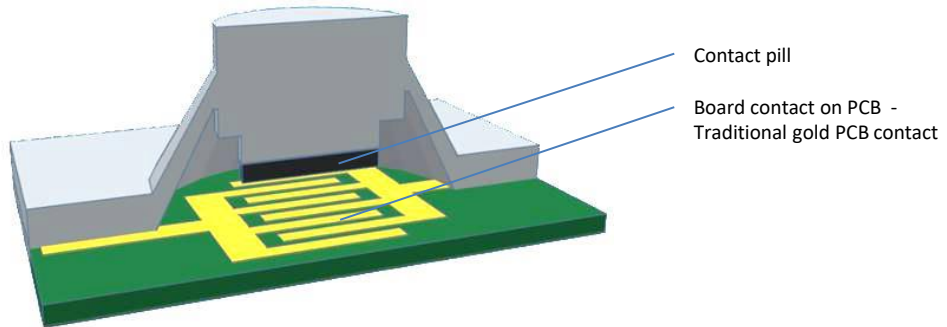
Facts about conventional touches/circuits

For switches in the control circuit, customized keypads with corresponding PCB is a popular and cost efficient solution.

Currently any interface pill technology demand contact action via gold on the PCB.

Abatek is the world leading supplier for applications that require low resistance contact e.g. < 1 Ohm.

Stackup of a keypad – PCB switch system



Introducing the SC-Contact

SC stands for Super Conductive and is a proprietary Abatek technology launched in 2006.

SC contact technology is successfully proven with way over 2'000'000'000 units sold in the market.

Quality has continuously been improved resulting in lower cost.

First generation SC-contacts are versions "L" and "M". They require gold on PCB to achieve better performance compared to gold-gold contacts or Low Resistance carbon- gold.

This will change with our new SC-H pill!

NEW SC-H pill technology

The High performance version – **SC-H** - can achieve same or better technical performance as the SC-L, SC-M and Gold Pills WITHOUT the gold contact on the PCB.

This means big cost savings.

SC-H and bare board PCB can be delivered as **package** by Abatek. This to ensure that materials **match** for best contact.

Current switch technology



Gold pill with gold plated PCB contact

Cost for Keypad and PCB extremely high



Low resistance carbon pill with gold plated PCB contact

Cost for Keypad lower but high cost for PCB

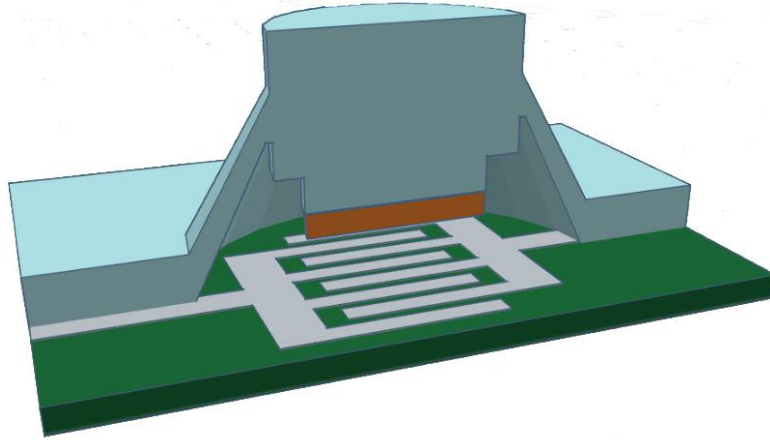
NEW SC-H SYSTEM



Super Conductive – High Performance pill with non gold PCB contact

Lower cost for keypad AND PCB

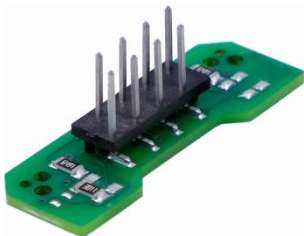
**Abatek SC-H with corresponding PCB contact
Better technical performance at lower cost**



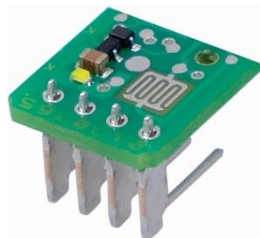
The technical performance is better than gold and a lot better than a LR Carbon Pill.

	Gold Pill with Gold PCB	LR Pill with Gold PCB	SC-H without gold on PCB
1) Contact resistance	<1 Ω	10 – 20 Ω	<1 Ω
2) Voltage	<5ms	>100ms	<5ms
3) Contact Force	Low	High	Low
4) Surface	Hard	Soft	Soft
5) Durability	High	High	High

Additional cost saving for the connector when switching to SC-H System



PCB with Gold contact
External connector must be soldered



SC-H and PCB without Gold contact
Connector pins can be press fitted

Additional cost saving on connector as PCB can support press fit of connector pins.
Total price/performance ratio optimization.

Please contact your nearest Abatek office for Technical documentation and/or a quote.

Sales Europe:

Abatek International AG
Grindelstr. 12
CH-8303 Bassersdorf (Zurich)
Switzerland
Phone: +41 44 843 11 11
Fax: +41 44 841 11 12
sales europe@abatek.com

Sales America:

Abatek (Americas) Inc.
2855 Premiere Parkway
Suite B
Duluth, Ga 30097
USA
Phone: +1 678 684 54 00
Fax: +1 678 684 5428
sales americas@abatek.com

Sales Asia:

Abatek (Asia) Public Company Limited.
946 Export Processing Zone
Bangpoo Industrial Estate
Samutprakarn 10280
Thailand
Phone: +66 2 729 9100
Fax: +66 2 729 9101
sales asia@abatek.com

Other Locations:

- Seoul, Korea
- Kunshan City, China
- Kuala Lumpur, Malaysia
- New Delhi, India
- Tokyo, Japan
- Cikarang, Indonesia

